

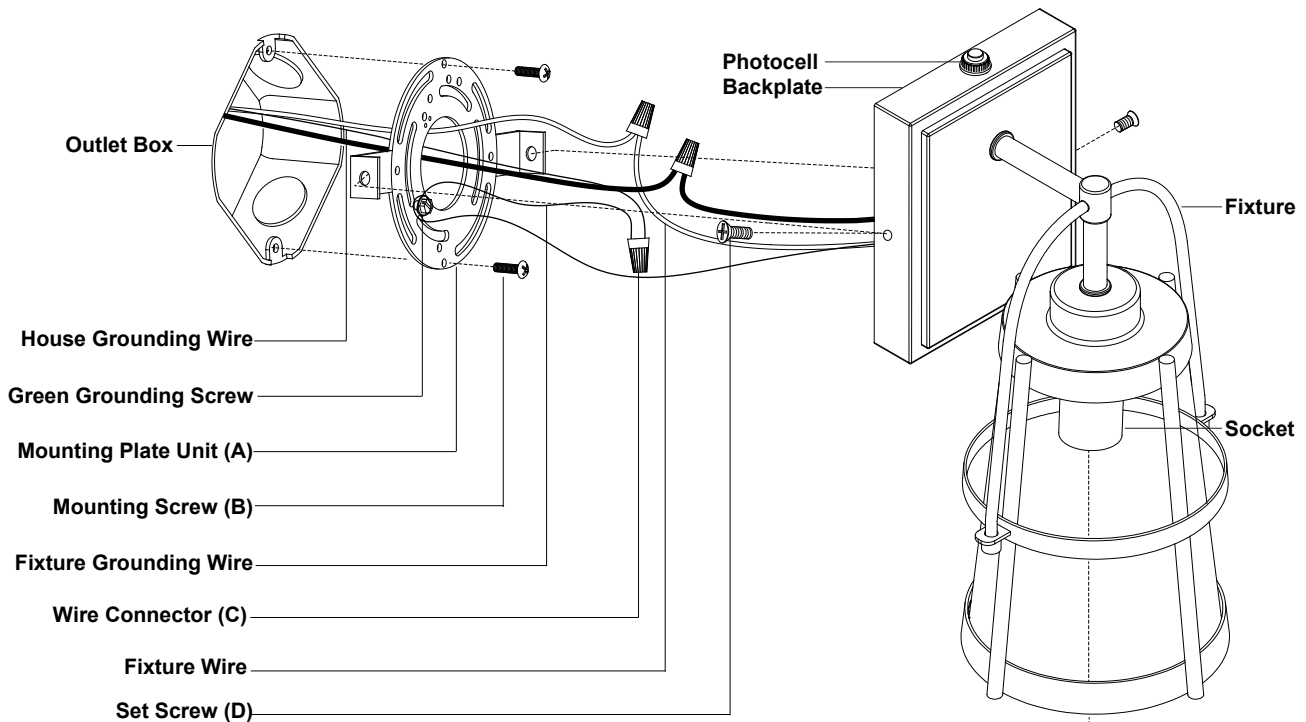
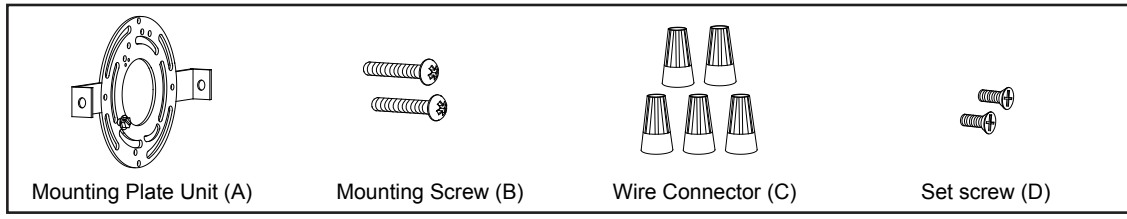
ASSEMBLY AND INSTALLATION INSTRUCTIONS

T0640

WARNING: Turn off the main power at circuit breaker before installing fixture.
AVERTISSEMENT: Coupez la source d'alimentation principale au panneau central de disjoncteurs avant d'installer le luminaire.

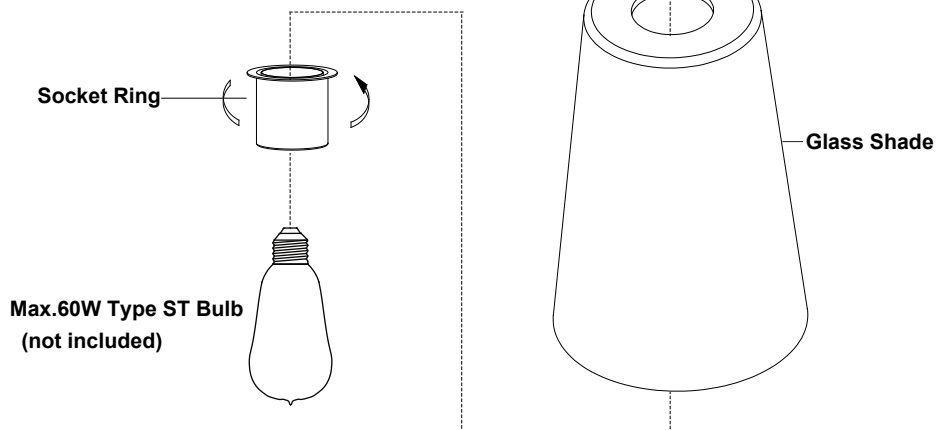
NOTE: 1. Before installing, consult local electrical codes for wiring and grounding requirements.
2. READ AND SAVE THESE INSTRUCTIONS.

Hardware Package (included):



IMPORTANT:

The sensor has an excellent photocell function to enable the light to turn on at dusk and off at dawn automatically.



Installation Steps

Turn off the power at fuse or circuit box

1. Unscrew the two set screws (D) and remove the mounting plate unit (A) from the backplate.
2. Attach the mounting plate unit (A) to the outlet box by using two mounting screws (B).
Note: Make sure that two set holes are lined up horizontally to make the fixture level.
3. Pull out the source wires from the outlet box. Make wire connections using wire connectors (C) as follows:
 - Connect the hot wire (usually black insulation) from the fixture to the black wire from the power source.
 - Connect the neutral wire (usually white insulation) from the fixture to the white wire from the power source.
 - Attach the fixture grounding wire (usually green insulation or bare wire) to the mounting plate unit (A) with the green grounding screw, then connect it to the house grounding wire with the wire connector (C).Carefully put all of the wires back into the outlet box.
4. Attach the backplate of the fixture to the mounting plate unit (A) by aligning holes, secure the two set screws (D) from the side hole of the backplate into the hole in the side of the mounting plate unit (A).
Note: With silicone caulking compound, caulk completely around where the backplate meets with the wall surface to prevent water from seeping into the outlet box.
5. Attach the glass shade to the socket, then secure it with the socket ring.
6. Install the bulb (not included). Check relamping label at socket area or packaging for maximum wattage allowed.

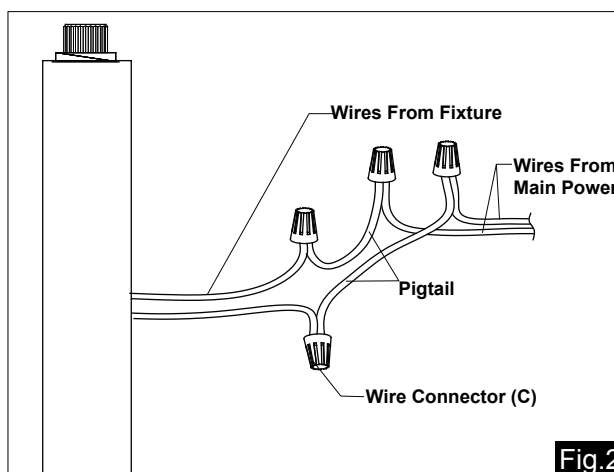
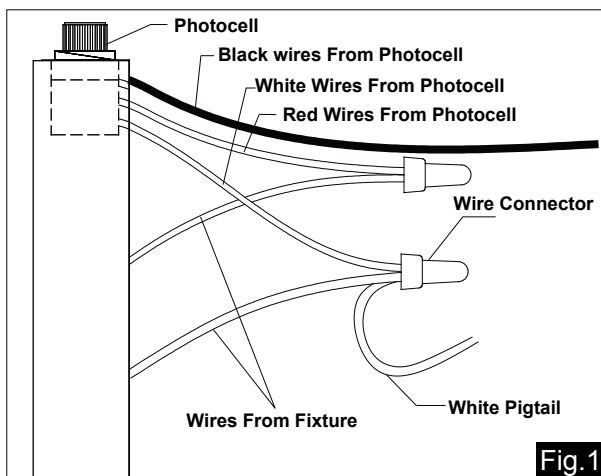
Turn on the power at fuse or circuit box

Optional Installation: Disconnect Dusk-to-Dawn Photocell

IMPORTANT:

Compatible with dimmer when photocell is disconnected.

* Requires dimmable bulb and compatible dimmer switch.



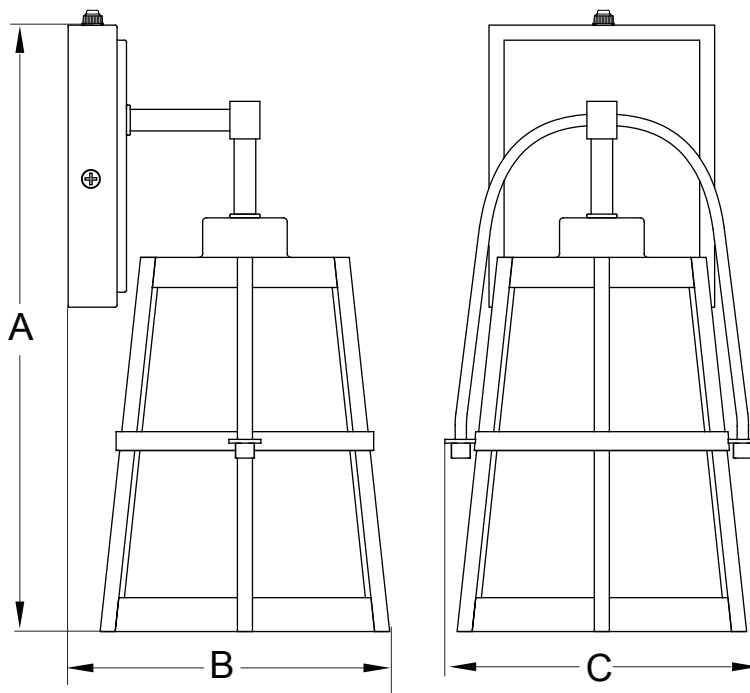
1. Turn off the power at the fuse or circuit box before starting installation.
2. Loosen the wire connector connected with the wires from photocell. (See Fig.1)
Note: Do not remove the photocell to prevent water from seeping into the outlet box.
3. Take a white pigtail and black pigtail and make wire connections using wire connector (C): (See Fig.2)
 - a. The black wire from the fixture to one end of the black pigtail.
 - b. The white wire from the fixture to one end of the white pigtail.
 - c. The other end of the black pigtail to the black wire from the power source.
 - d. The other end of the white pigtail to the white wire from the power source.Put all wires back into the backplate of the fixture.

Turn on the power at fuse or circuit box.

The following parts are available for re-order if damaged or missing.

Spare Parts List:

A circular mounting plate with two side tabs and a central hole.	Two screws with hex heads and threaded shafts.	Six wire connectors, three in a top row and three in a bottom row.	Two set screws with hex heads and short shafts.	→ Mounting Hardware 6502MM (1SET)	A conical glass shade with a flared top and a narrower bottom.
Mounting Plate Unit (A)	Mounting Screw (B)	Wire Connector (C)	Set screw (D)		



A: 12-3/4"

B: 7"

C: 6-1/2"