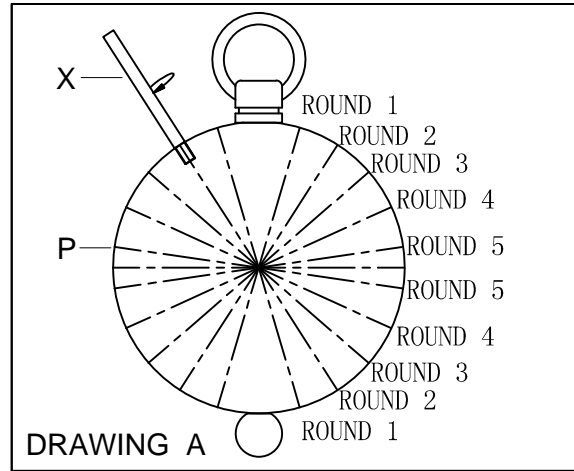


NOTE: Before starting installation of this Fixture or the removal of a previous Fixture, disconnect the power by turning off the circuit breaker or removing the fuse from the fuse box.

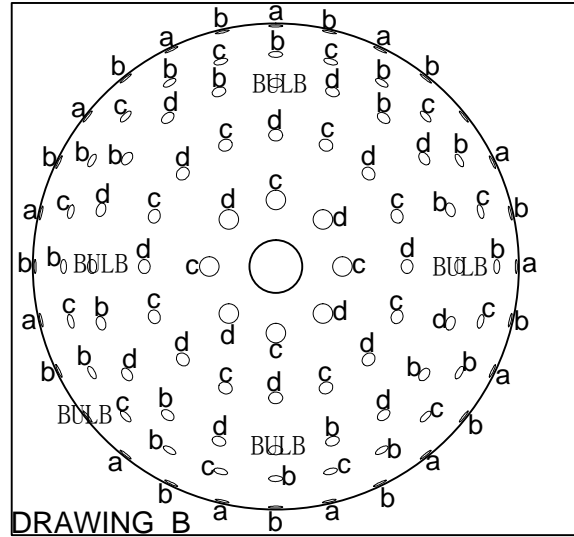
STEP 1:

Tighten the Square Rod(X) to lamp(P).
From Round 1 to Round 5.

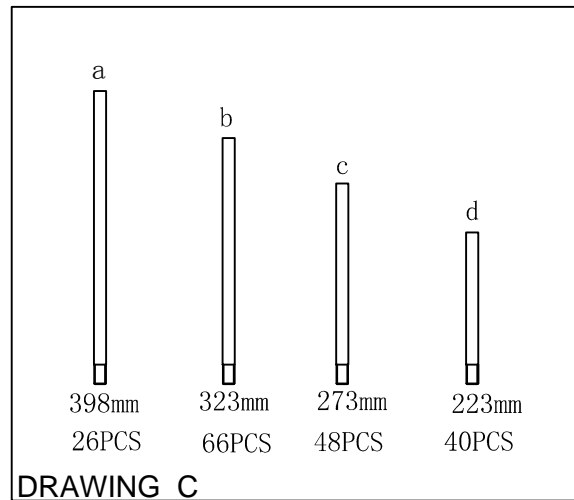


DRAWING B

(a b c d) is the holes for Square Rod(X)
Remark BULB is for sockets.
From center to outer is one to one
correspondence Round 1 to Round 5.



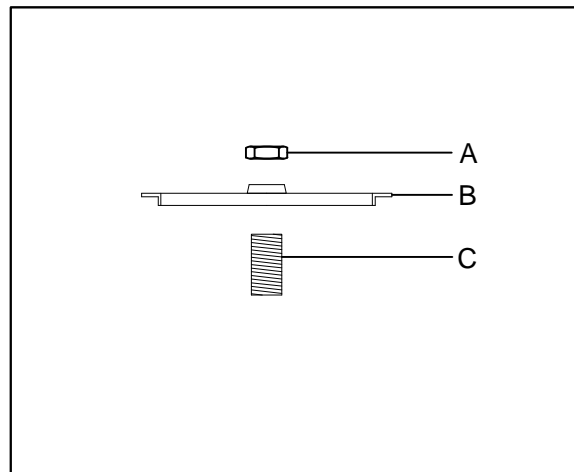
DRAWING C is the specification, quantity for
Square Rods(X) and the number(a b c d)



NOTE: Before starting installation of this Fixture or the removal of a previous Fixture, disconnect the power by turning off the circuit breaker or removing the fuse from the fuse box.

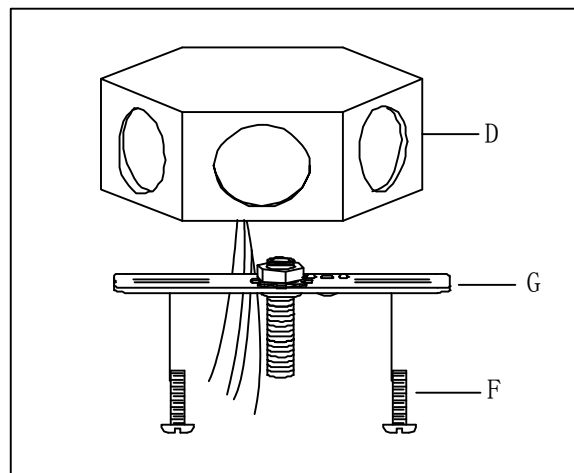
STEP 2:

Attach the Nipple(C) to the Mounting Bar(B) by screwing in the Nipple and locking it on the opposite side with the Nut(A).



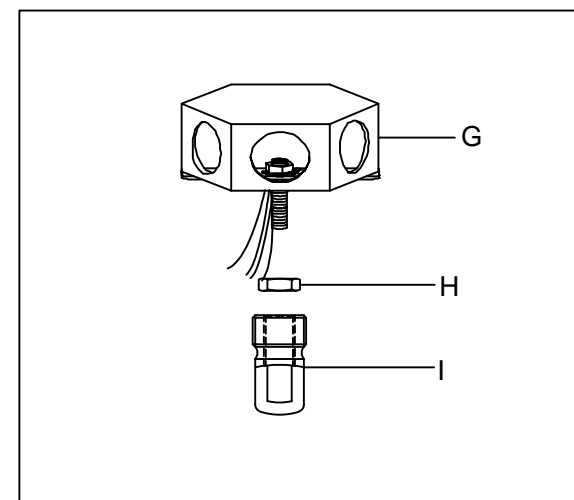
STEP 3:

Secure the Mounting Bar(G) to the Outlet Box(D) with the Mounting Screws(F). Tighten until snug.



STEP 4:

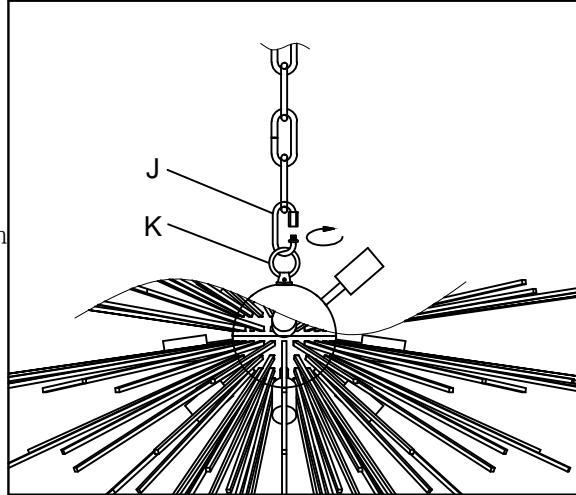
Attach the Canopy Loop(I) and Nut(H) into place on the Mounting Bar(G).



NOTE: Before starting installation of this Fixture or the removal of a previous Fixture, disconnect the power by turning off the circuit breaker or removing the fuse from the fuse box.

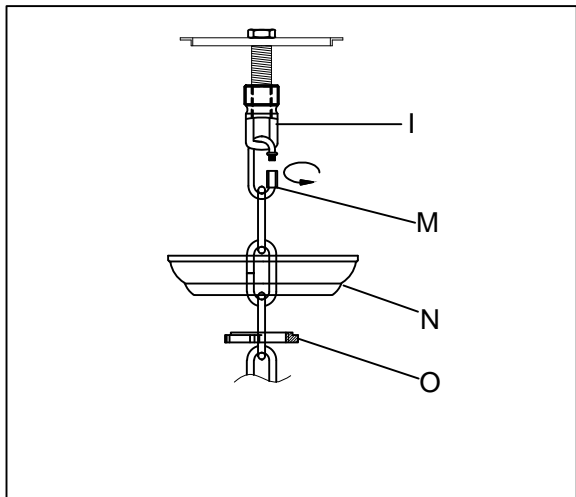
STEP 5:

Connect the fixture loop(K) to the Canopy chain loop using the chain link(J).



STEP 6:

Pass the chain through the Canopy(N) and Collar(O). Connect Canopy Loop(I) and chain with the chain link(M). Fix the Canopy(N) into the ceiling.

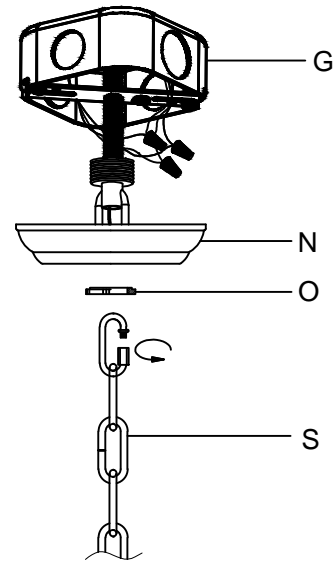
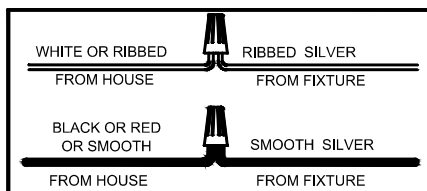


NOTE: Before starting installation of this Fixture or the removal of a previous Fixture, disconnect the power by turning off the circuit breaker or removing the fuse from the fuse box.

STEP 7:

Wrap the Ground Wire from the Fixture around the Ground Screw on the Mounting Bar (G) and then connect the Ribbed Silver Wire from the Fixture to the White Wire (neutral wire) from the Outlet Box. Connect the Smooth Silver Wire from the Fixture to the Black Wire (live wire) from the Outlet Box. Cover the connections using the Wire Connectors.

NOTE: Black Wire inside Outlet Box may be red or smooth. White Wire inside Outlet Box may be ribbed.

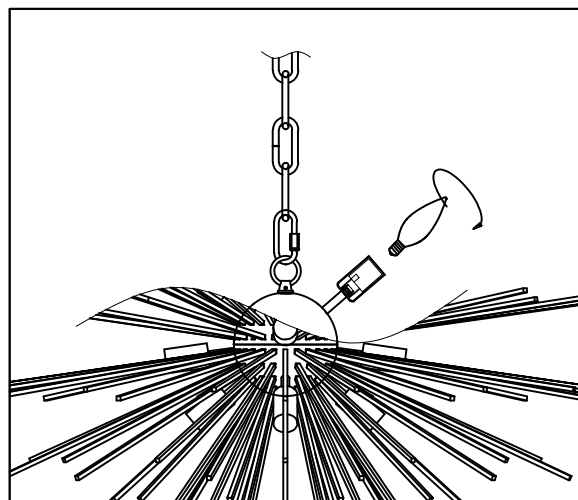


STEP 8:

Screw in the Bulbs. This Fixture has been rated for up to 40 Watt MAX Type B Candelabra Bulbs (NOT Included).

STEP 9:

Connect breaker and turn on Light.



Cleaning & Care:

To clean, wipe the Fixture with a soft, dry cloth. Avoid the use of harsh or abrasive chemicals as they may damage the finish.

ZEDV

L I G H T I N G

ASSEMBLY AND INSTALLATION INSTRUCTIONS

ITEM NO.: CD10056/12/AGB

