

LED Linear Pendant

LP17915-UNV-010

INSTALLATION SHEET

START FROM HERE

- Make sure **POWER** is **COMPLETELY OFF** at the fuse box
- Have your fixture installed by a qualified licensed electrician
- Prepare everything in a clear area
- Wear gloves at all time during this installation
- Read instructions carefully before you start assembly
- Keep this installation sheet for future reference

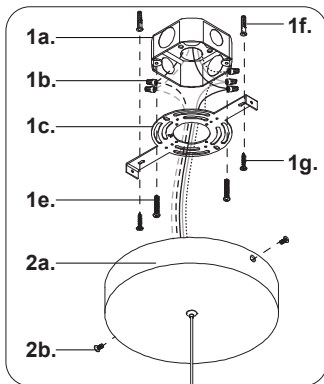
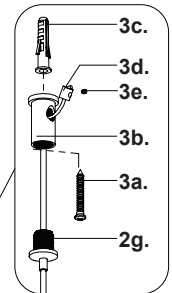
Technical Support: 1-855-855-8926

Please Note:

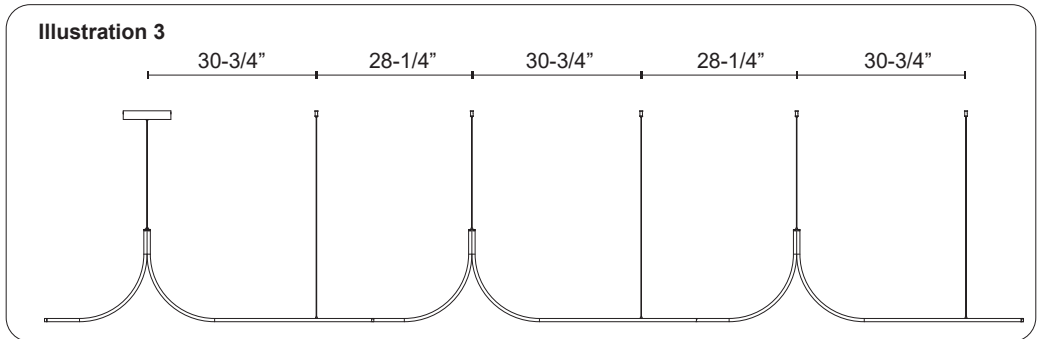
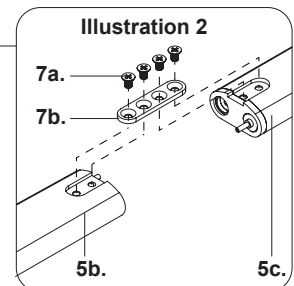
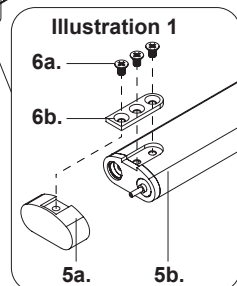
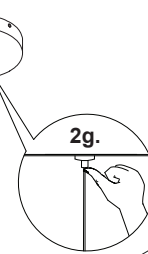
- This Kuzco LED fixture comes with pre-wired LED module(s)
- Unless instructed, Do Not touch any part of the LED module(s) as any unnecessary contact with the module could cause permanent damage
- Use ELV (Electronic Low Voltage), TRIAC or 0-10V type of dimmer for dimming application
- 120-277V input

1. Remove fixture from its original package
2. Separate mounting plate (1c) from canopy (2a) by removing canopy screws (2b)
3. Attach mounting plate (1c) to electrical junction box (1a) using junction box screws provided (1e) in hardware package
4. Secure mounting plate (1c) to mounting surface with screws (1g) and anchors (1f)
5. To change fixture height, push and hold wire gripper (2g), slide wire to desired length and then release wire gripper (2g) to secure
6. Make proper electrical connections (black to hot "L", white to neutral "N", green to "GND", Dim + to purple, Dim- to gray) with wire nuts (1b) provided in hardware package

7. Attach canopy (2a) to mounting plate (1c) with canopy screws (2b)
8. See Illustration 3 for ideal distance of wire grippers from canopy
9. Pull wire through aircraft barrel (3b) and stopper (3d). Mark and install aircraft barrel (3b) to mounting surface with anchor (3c) and screw (3a). Adjust wire to desired length and secure with set screw (3e). Insert wire gripper (2g) into aircraft barrel (3b) to close.
10. Separate end cover (5a) from fixture (5b) by removing screws (6a) and plate (6b) (See Illustration 1). Attach fixture (5b) to other fixture end (5c) and secure with plate (7b) and screws (7a) (See Illustration 2)



Wires	
Hot (Black)	—————
Neutral (White)	—————
Ground (Green)	—————
Dim - (Gray): Optional
Dim + (Purple): Optional	-----



KUZCO

19054 28th Avenue Surrey, BC Canada V3Z 6M3
 T: 604 538 7162 TF: 1-855 85 KUZCO F: 604 538 7196
 W: kuzcolighting.com
 20250107