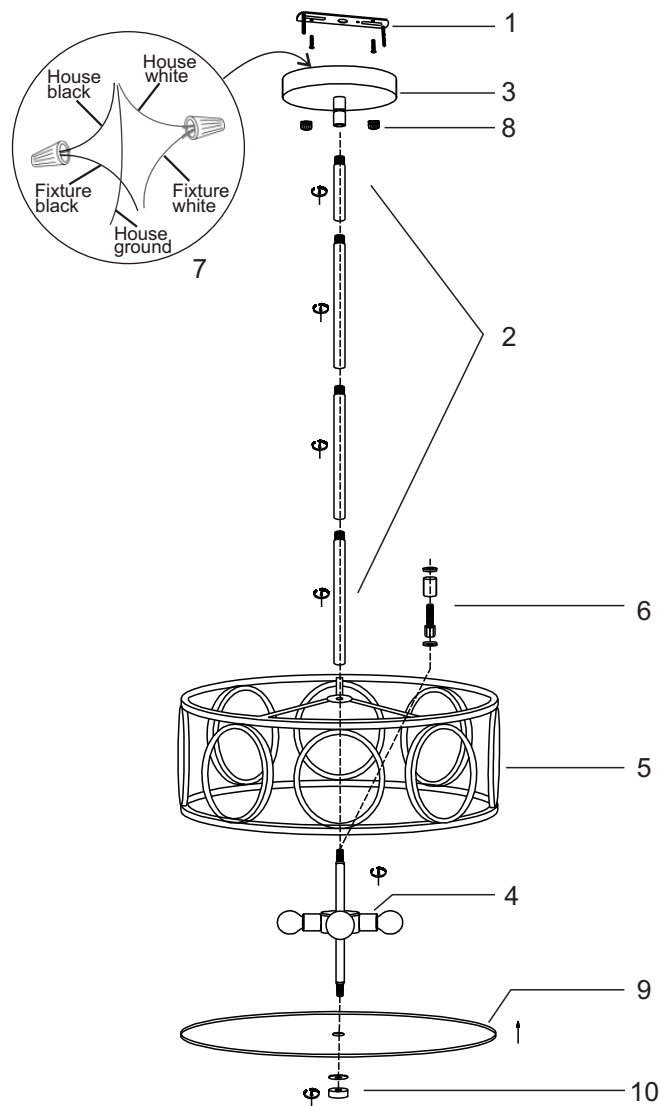




# C44803 C44804



## INSTALLATION INSTRUCTIONS:

- Ensure main supply is switched off.
- Fix mounting bracket (1) onto mounting surface with self-tapping screws.
- Connect pole part (2) and to ceiling cup (3), the other end of pole onto lamphold (4) & shade (5) with niple & washer (6).
- Connect wires (7) according to color (White to White, Black to Black). Connect all earth lug together onto the crossbar with green screw to tight.
- Move ceiling cup onto mounting bracket with nuts (8).
- Install lamps.
- Fit bottom cover (9) onto shade with decorative nut (10).
- Reconnect power.

## WARNING:

- This fitting must be earthed.
- Disconnect power and allow fitting to cool down before cleaning or changing the lamp.