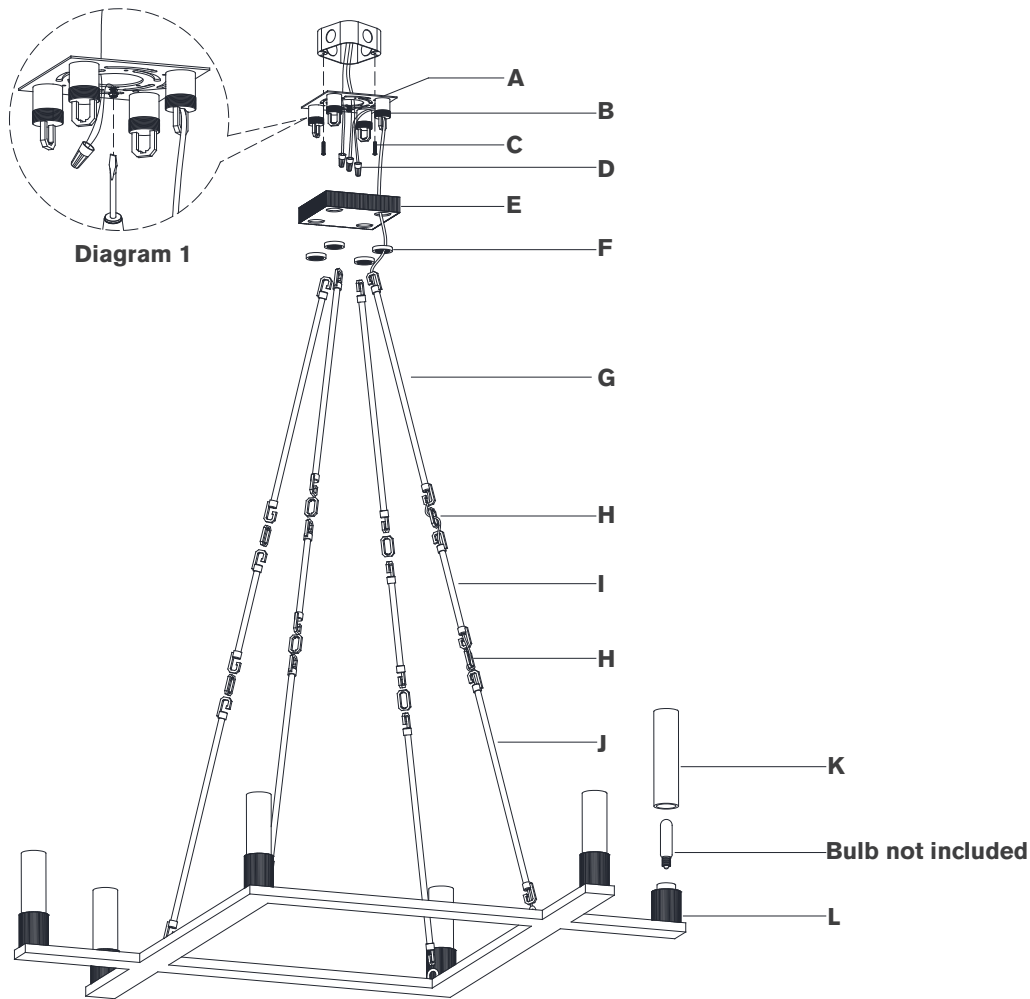


## ASSEMBLY INSTRUCTIONS



## Beza Extra Large Chandelier

Item # RB 5008

### NOTICE:

This light fixture should be installed in accordance with all applicable, local installation codes, and by a person familiar with the construction and operation of it, as well as the hazards involved. Inspect item and contents carefully. If any damage or defect is found, do not install. Retain all packaging material until installation is complete and approved.

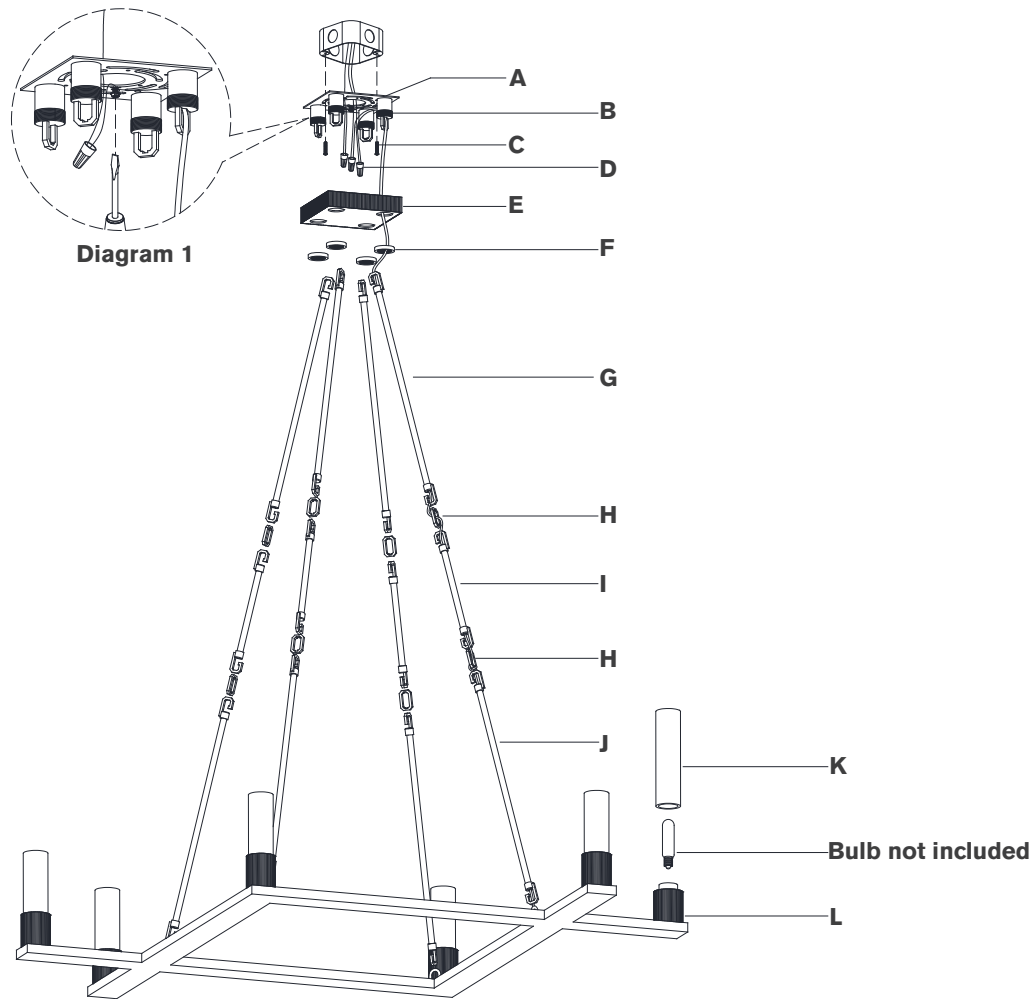
### TOOLS REQUIRED (NOT INCLUDED):

Phillips Screwdriver      Slotted Screwdriver      Wire Cutters  
Wire Strippers

1. Carefully remove all parts from the box. Place on a clean, soft surface.
  2. Remove mounting plate **(A)** from canopy **(E)** by removing collar rings **(F)**.
  3. Install mounting plate **(A)** to junction box and secure with mounting screws **(C)**.
  4. Install canopy **(E)** to collar loops **(B)** and secure with collar rings **(F)**.
  5. Feed electrical wires through rods **(J & I & G)**, then connect together using quick links **(H)** as shown in diagram.
  6. Attach bottom rods **(J)** to hooks on fixture **(L)**, then hang top rods **(G)** to collar loops **(B)**.
  7. Loosen collar rings **(F)** and let canopy **(E)** slip down rods carefully.
  8. Cut excess wire, being sure to leave enough to reach the junction box. Separate wires, and strip insulation on each 5/8".
  9. Twist all fixture wires together, and slip through center hole of collar loop **(B)**.
- NOTE:** Untwist wires and separate to prepare for connection.
10. Wrap fixture ground wire (bare copper) around the green grounding screw (see diagram 1). Tighten. Continue fixture ground wire and connect to supply ground wire (usually green or bare copper) using wire nut **(D)**.

**NOTE:** It is imperative that the fixture is grounded.

## ASSEMBLY INSTRUCTIONS



## Beza Extra Large Chandelier

Item # RB 5008

### NOTICE:

This light fixture should be installed in accordance with all applicable, local installation codes, and by a person familiar with the construction and operation of it, as well as the hazards involved. Inspect item and contents carefully. If any damage or defect is found, do not install. Retain all packaging material until installation is complete and approved.

11. Connect fixture neutral wire (white) to the supply neutral wire (usually white) using wire nut **(D)**.
12. Connect fixture hot wire (black) to the supply hot wire (usually black) using wire nut **(D)**.  
**CAUTION:** Do not reverse the hot and neutral connections.
13. Make sure all wire connections are tight, then carefully tuck into the junction box.
14. Install canopy **(E)** to mounting plate **(A)** and secure with collar ring **(F)**.
15. Install light bulbs into the sockets.
16. Place glass shades **(K)** onto fixture **(L)**.

**Care Instructions:** Clean only with a soft dry cloth or feather duster. Do not use abrasive or chemical agents.