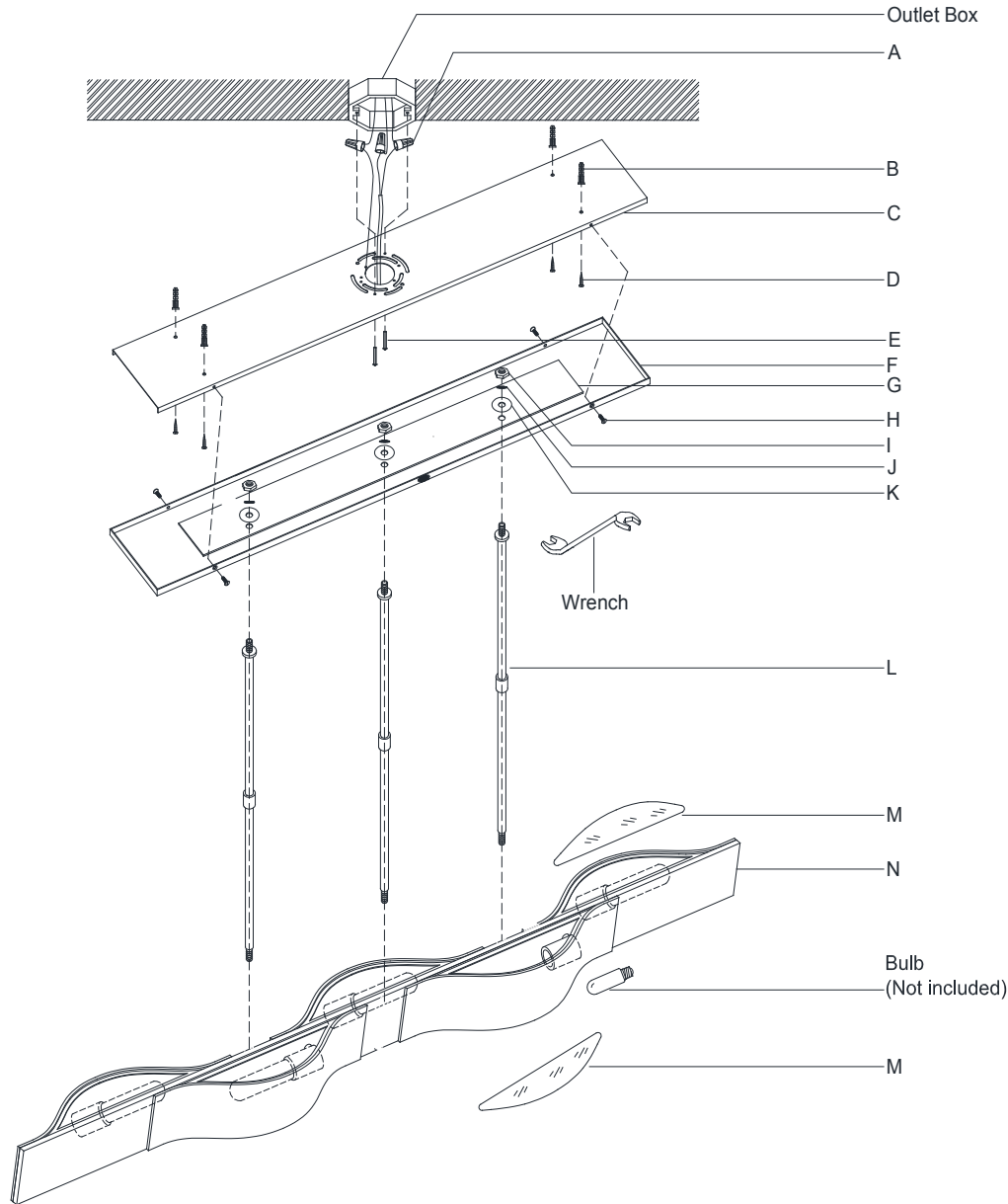


ASSEMBLY INSTRUCTIONS



Avant Large Linear Pendant

Item # KW 5523

WE RECOMMEND INSTALLATION OF THIS LIGHTING FIXTURE BE DONE BY A LICENSED ELECTRICIAN.

WARNING*SWITCH OFF THE MAIN ELECTRICAL SUPPLY FROM THE MAIN FUSE BOX/CIRCUIT BREAKER BEFORE INSTALLATION.**

INSPECT ITEM CAREFULLY BEFORE ATTEMPTING TO INSTALL. IF THERE IS ANY DAMAGE OR OBVIOUS DEFECT. DO NOT INSTALL.

ITEM MAY NOT BE RETURNED ONCE IT HAS BEEN INSTALLED.

NOTE: CAREFULLY UNPACK EACH PIECE IN TOP LAYER OF PACKING PRIOR TO REMOVING. RETAIN ALL PACKING MATERIAL UNTIL INSPECTION AND INSTALLATION ARE FINAL.

1. Carefully remove all parts from the box.
2. Remove the mounting plate (C) from the canopy (F) by loosening side screws (H).
3. Drill 4 holes on the ceiling and make sure the hole distance will match to the holes on the mounting plate (C) exactly.
4. Knock the anchors (B) into the ceiling holes.
5. Affix mounting plate (C) onto the outlet box and secure with mounting screws (D & E).
6. Thread the tube (L) to the fixture body (N).
7. Attach the canopy (F),fortified plate (G) to the tube (L) and secure with metal washer (K),spring washer (J),nuts (I) by using the wrench.
8. Insert bulbs (not included) into the sockets.
9. Attach the glass (M) into the bottom of the fixture body (N) and secure by bending the tabs,then put the glass (M) on the top of the fixture body (N).
10. Connect the fixture Ground (bare) wire with the ground wire from the outlet box using wire nut (A). If your house does not have ground wire, then attach this wire to the green grounding screw inside of the outlet box.

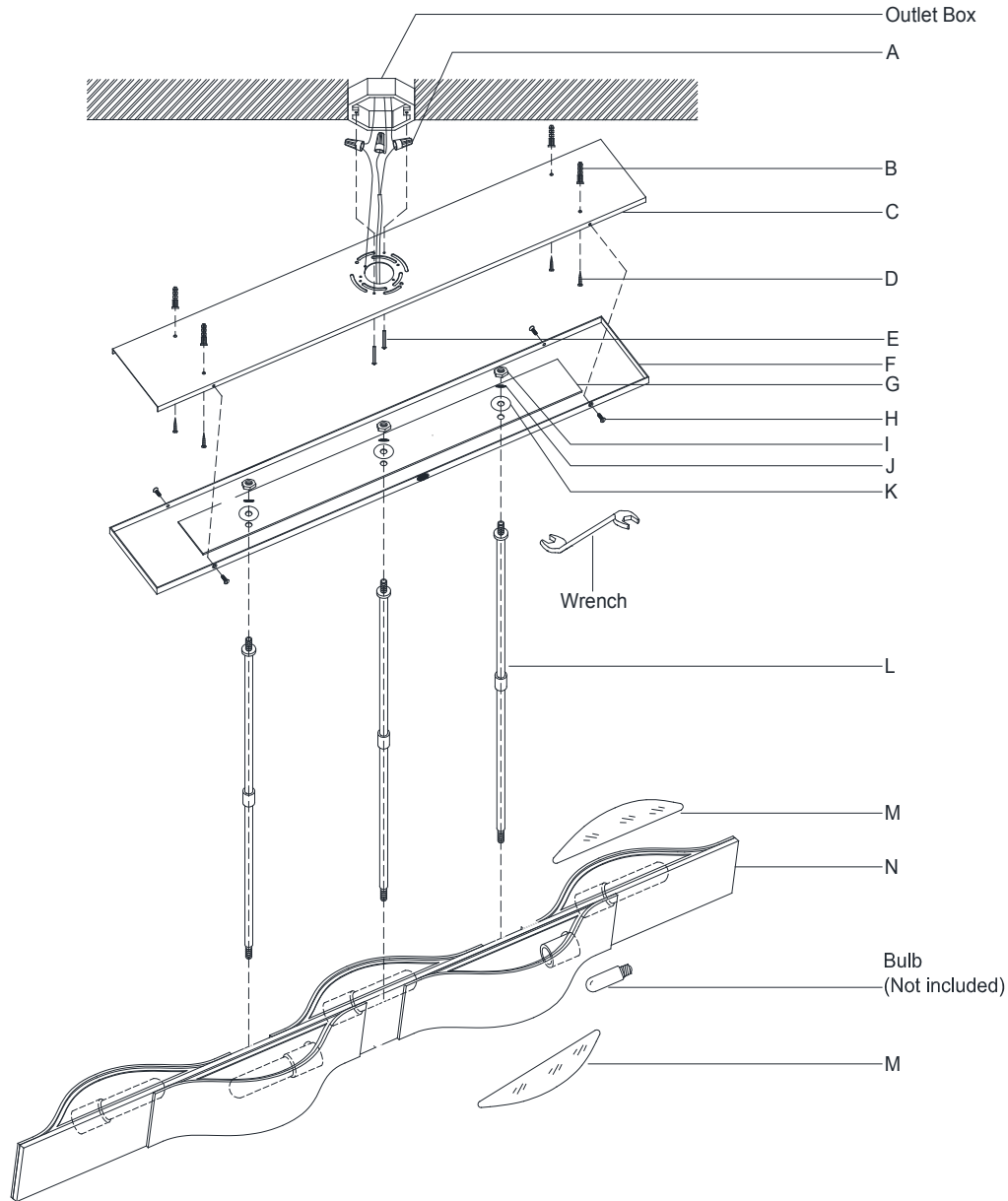
IT IS IMPERATIVE THAT THIS FIXTURE BE GROUNDED.

11. Connect the fixture Neutral (ribbed, no markings) wire with the neutral wire from the outlet box using wire nut (A).
12. Connect the fixture Hot (smooth edge,markings) wire with the hot wire from the outlet box using wire nut (A).

DO NOT REVERSE THE HOT AND NEUTRAL CONNECTIONS OR SAFETY WILL BE COMPROMISED.



ASSEMBLY INSTRUCTIONS



Avant Large Linear Pendant

Item # KW 5523

WE RECOMMEND INSTALLATION OF THIS LIGHTING FIXTURE BE DONE BY A LICENSED ELECTRICIAN.

WARNING***SWITCH OFF THE MAIN ELECTRICAL SUPPLY FROM THE MAIN FUSE BOX/CIRCUIT BREAKER BEFORE INSTALLATION.

INSPECT ITEM CAREFULLY BEFORE ATTEMPTING TO INSTALL. IF THERE IS ANY DAMAGE OR OBVIOUS DEFECT. DO NOT INSTALL.

ITEM MAY NOT BE RETURNED ONCE IT HAS BEEN INSTALLED.

NOTE: CAREFULLY UNPACK EACH PIECE IN TOP LAYER OF PACKING PRIOR TO REMOVING. RETAIN ALL PACKING MATERIAL UNTIL INSPECTION AND INSTALLATION ARE FINAL.

13. Tuck these wire connections neatly into the outlet box to secure.

14. Attach the canopy (F) to the mounting plate (C) and secure with side screws (H).

15. Installation is complete, turn on power at fuse or circuit breaker.

***Clean with a dry, soft cloth only. Use no harsh abrasives or chemical agents.

