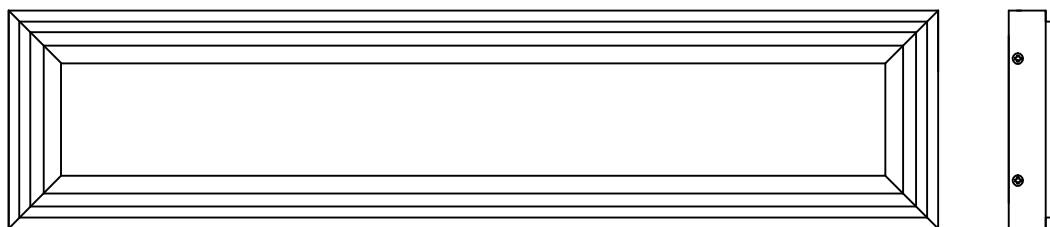




**PRODUCT NAME:** Picazzo 1-LT LED Wall sconce  
**ITEM NUMBER:** 39672/39674/39676

Please consult your electrician for hanging fixture and wiring.



The fixture is designed to dim with a standard Triac forward phase dimmer. Dimming levels will vary by dimmer.

Below is a list of recommended dimmers:

Lutron MACL-153M

Lutron DVL-153P

Lutron SCL-153P

Leviton IPL06-10Z

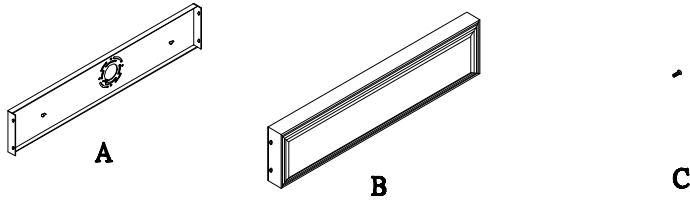
Leviton 6674-POW

Due to inrush current, wattage should not exceed 150 Watts of product for a 600W dimmer.

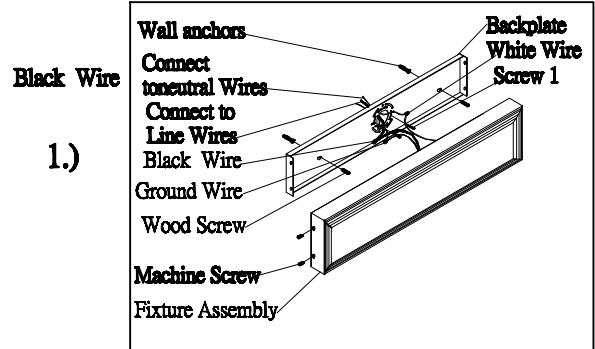
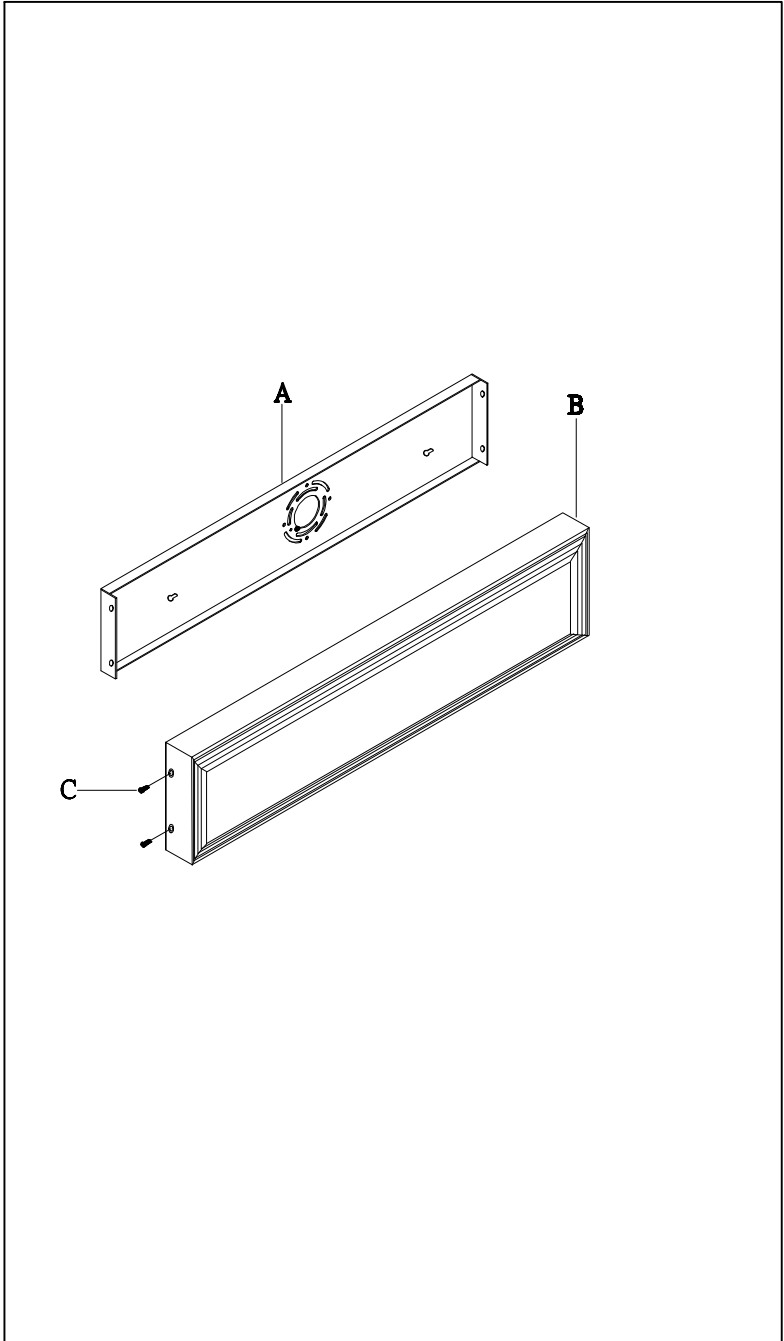
**WARNING:** Wires need to be connected to driver found in canopy and should not be connected directly to power source or a short may occur.

**Bulb(included):** LED

**IMPORTANT:** Turn off the power at the main fuse or circuit breaker box before starting installation

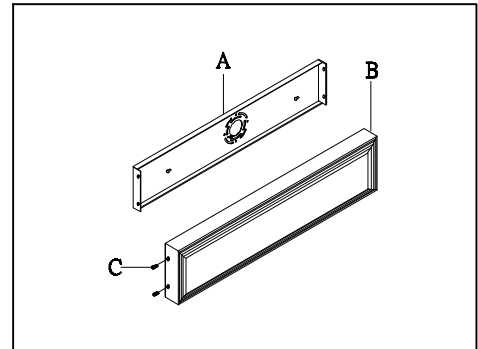


**Locate all hardware & components before discarding packaging**



**1.)** Remove mounting bracket (A) from fixture and install to electrical box. Mark where screws at ends of bracket meet the wall. Remove mounting bracket from wall. Drill holes using  $3/16^{\prime\prime} \pm$  drill bit where marked. Install mounting bracket to outlet box and attach anchors to secure bracket at ends. Then wire fixture to wires in outlet box. Copper wire is for Ground.

**2.)**



**Step.2:** Install lamp body (B) to back plate using two screws (C) on the sides.

**Cleaning & Care:**

Clean with soft cloth and a mild detergent.  
Do not use abrasive cleaner.