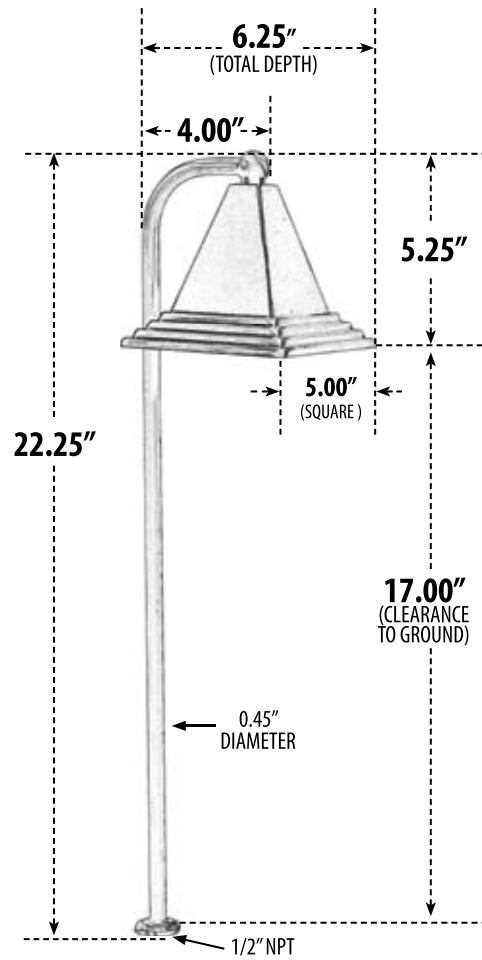


LV46

PATH, WALKWAY AND AREA LIGHT



- ▶ **Material:** Brass
- ▶ **Lens:** No Lens, Open Lamp
- ▶ **Lamp:** JC Bi-Pin Base (20W Maximum)

MODEL NUMBER	LAMP TYPE	ILLUMINANT TYPE	WATTS (W)	VOLTS (V)	LAMP(S) INCLUDED?
LV46	JC	HALOGEN	20	12	YES
LV-LED46	JC-LED	LED	2.5	12	YES

Pre-wired with UL Listed Direct Burial Wire/Cable

- ▶ **1/2" NPT**
- ▶ **Ground Spike Included for Installation**
- ▶ **Connector Available:** P-CN01 (sold separately)
- ▶ **Available Finish:** Antique Bronze, Antique Brass, Acid Green
- ▶ **ETL Approved**

Overall Dimensions:
22.25"H x 5.00"W x 6.25"D

Maximum Height: 22.25"
Width: 5.00"
Maximum Depth: 6.25"

Weight: 1.20 lbs
Approximate Wire Length: 21"
Box Dimensions:
25.25"H x 7.00"W x 6.00"D



DABMAR LIGHTING INCORPORATED

2140 Eastman Ave . Oxnard, CA 93030 . 805.604.9090 . f: 805.604.9050 . www.dabmar.com