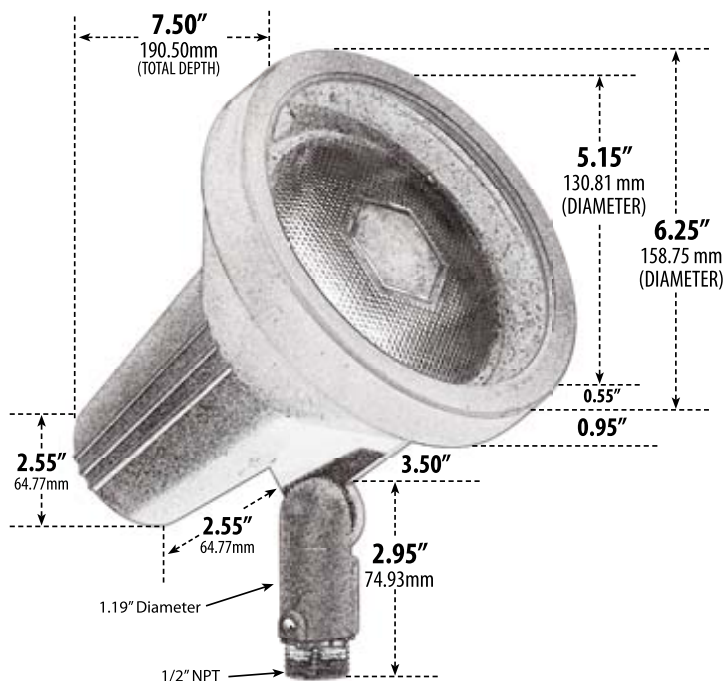


DPR40

DIRECTIONAL SPOT LIGHT



- ▶ **Material:** Powder Coated Cast Aluminum
- ▶ **Lens:** Clear, Heat Resistant, Tempered Glass
- ▶ **Lamp:** PAR38 (90W Maximum)

MODEL NUMBER	LAMP TYPE	ILLUMINANT TYPE	WATTS (W)	VOLTS (V)	LAMP(S) INCLUDED?
DPR40	PAR38	INCANDESCENT	90	120	NO
DPR-LED40	PAR38-LED	12 LEDs	12	120	YES

- ▶ **Adjustable Knuckle with 1/2" NPT**
- ▶ **Ground Spike Available:** LV-S6 (sold separately)
- ▶ **Available Color:** Bronze, Green, Verde Green
- ▶ **ETL Approved**

Overall Dimensions:
9.50"H x 6.25"W x 7.50"D

Maximum Height: 10.00"
Minimum Height: 9.00"
Width: 6.25"
Maximum Depth: 8.50"
Minimum Depth: 7.50"

Weight: 2.00 lbs
Approximate Wire Length: 9"
Box Dimensions:
8.00"H x 6.50"W x 6.50"D



DABMAR LIGHTING INCORPORATED

2140 Eastman Ave . Oxnard, CA 93030 . 805.604.9090 . f: 805.604.9050 . www.dabmar.com