

JOB NAME: \_\_\_\_\_

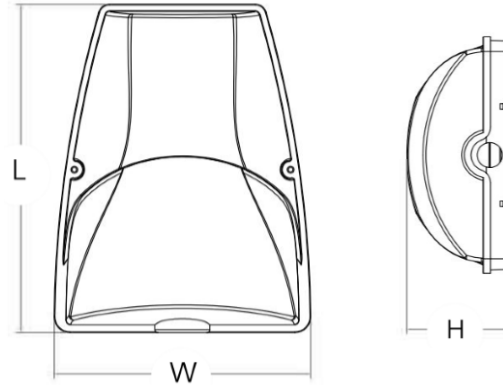
DATE: \_\_\_\_\_

TYPE: \_\_\_\_\_



## DIMENSIONS:

8.5"(L) x 6.7"(W) x 2.8"(H)



## LESW-12W-50K-P LESW-12W-30K-P

### LED SMALL NON-CUTOFF WALL PACKS

Ideal for general site lighting, loading docks, doorway, pathway and parking area

MODEL	WATTS	VOLTAGE	LUMENS	COLOR TEMP
LESW-12W-50K-P	12W	120VAC	1260 LM	5000K
LESW-12W-30K-P	12W	120VAC	1260 LM	3000K

### ELECTRICAL SPECIFICATIONS:

- Voltage: 120 VAC/60 Hz
- Wattage: 12 W
- Power factor: 0.95
- Efficacy: 105 LM/W

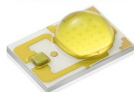
### HOUSING SPECIFICATIONS:

- ADC12 Aluminum heat sink
- Outdoor Powder Coat
- Operating temperature: -40°F to 104°F
- Lifespan: 70,000 hr.
- IP Rating: IP64

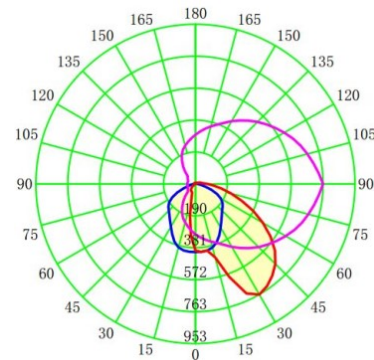
### CERTIFICATIONS: UL, DLC



PHILIPS LUMILEDS



### PHOTOMETRICS:



### LIGHTING SPECIFICATIONS:

- Lens: Optical Lens
- Total lumens: 1260 LM
- Color temperature: 5000K/3000K
- Color rendering index: >70

### WARRANTY: 7 years

