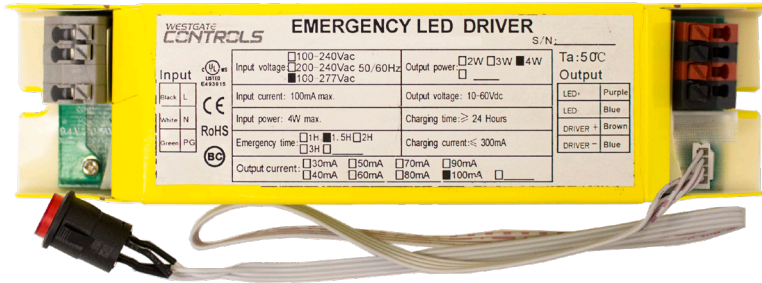


4W INTEGRATED



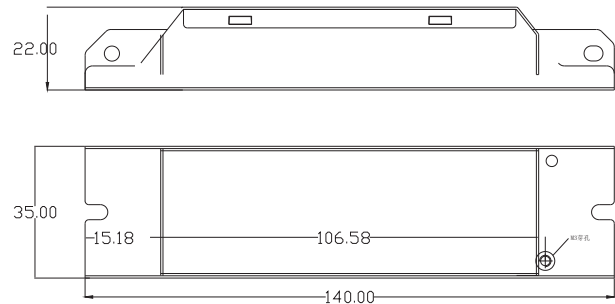
**ELB-0460-FM** is a CEC-Compliant, UL-Listed and approved for field installation emergency lighting system for fixtures with **Isolated** drivers. For use with LED modules driven by a constant current source. With the battery, driver, and charger all integrated in a mini housing, it is a perfect choice for installation inside small light fixtures up to 40W.

**Applications:**

- Flush-Mount ceiling lights
- Cloud ceiling fixtures
- Wraparound lights
- Outdoor wall packs with small housing



Case- 5.5"x1.37"x0.86"(mounting center-5.1")



## ELB-0460-FM

Input Voltage	120~277V AC, 50-60Hz
Input Current	100mA Max.
Input Power	5W Max.
Output Voltage	10-60V DC
Output Current	30-100mA
Output Power	4W Max.
Emergency Duration	90 Minutes
Battery	Li-ion (Lithium-ion), 3.7V / 2500mAh
Charging Time	≥ 24Hrs.
Operating Temperature	32°F ~ 104°F
Test Switch	Test Switch w/ Integrated Indicator Light
Weight	0.35 lbs.

